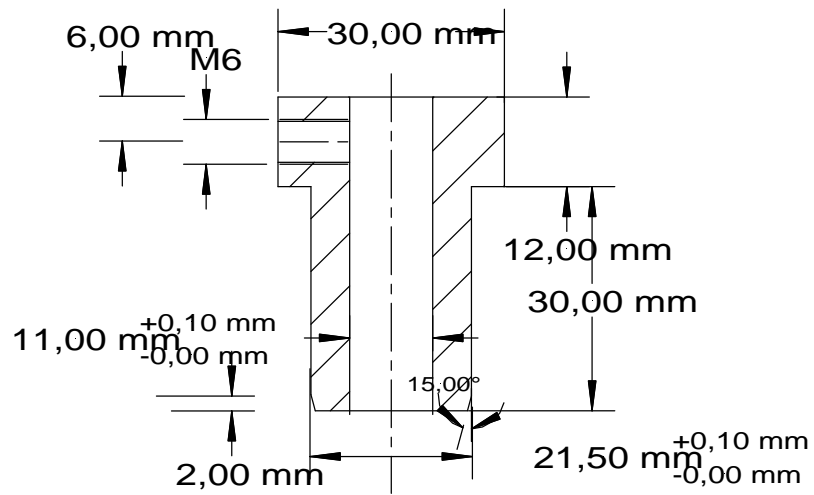


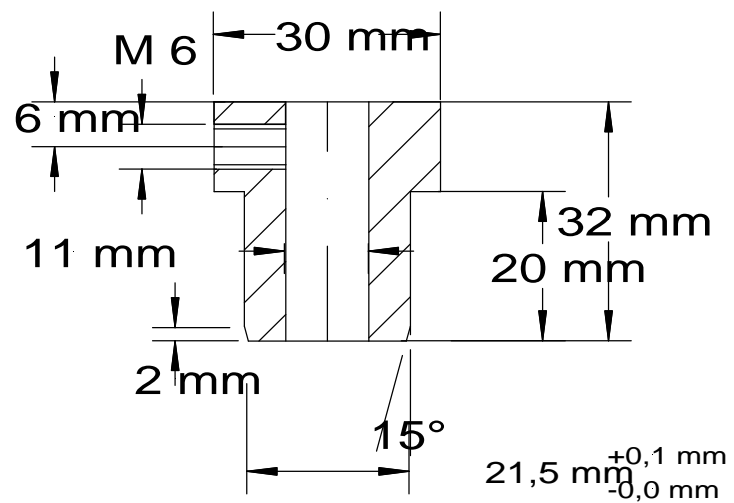
Spring insert type b 25 mm bending



Tol +/- 0.2

Upperpart Black Plastic (mat : HMP
high-molecular polyethylene

Spring insert White type a 35 mm bending

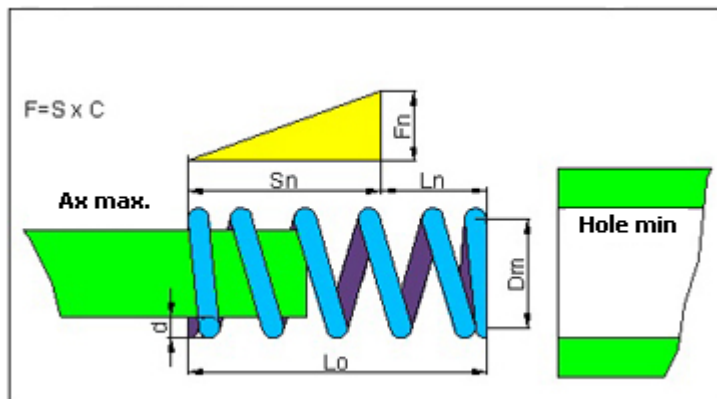


Tol +/- 0.2

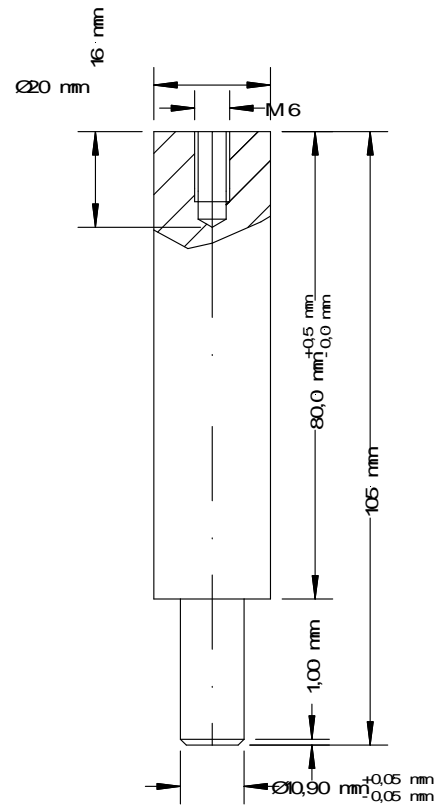
Upperpart White Plastic (mat : HMP
high-molecular polyethylene

Compressor Spring measurements

Type spring	d [mm]	Dm [mm]	Lo [mm]	Ln [mm]	Nw	C [N/mm]	Sn [mm]	Fn [N]	Max. Ax [mm]	Min. hole [mm]	VST of RVS	Nt
D13590	4	25	60.5	33.68	5.5	30.35	26.82	814.03	20.3	29.7	VST	7.5



Original springs are marked with "IPC" landmark

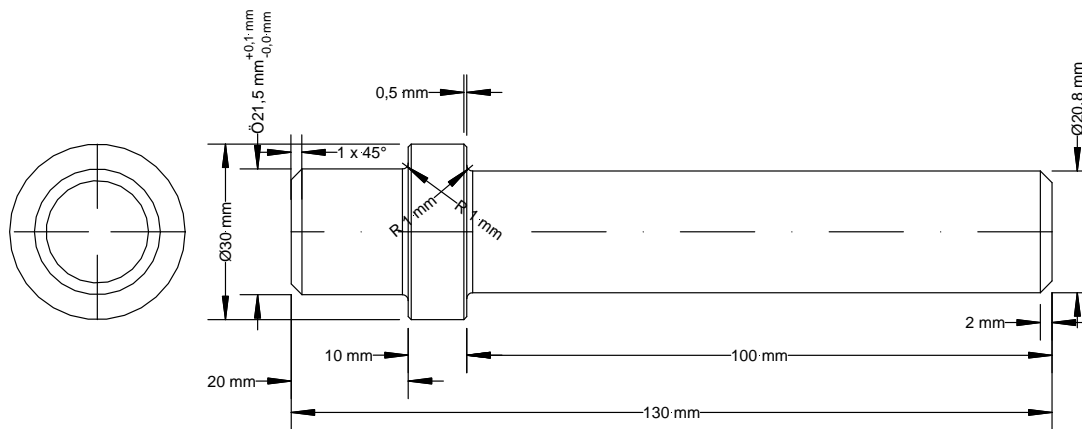


Toppart support

Material Aluminium

Toppart support (U form shaft)

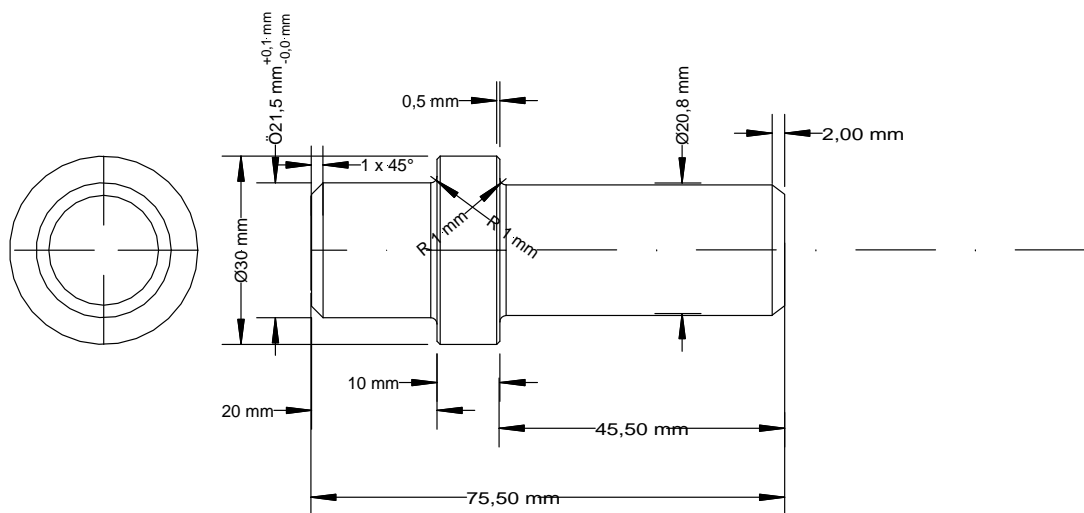
Lower part spring holder



TOL. +/- 0.2.

Lower part Spring holder

MAT.:ALUMINIUM

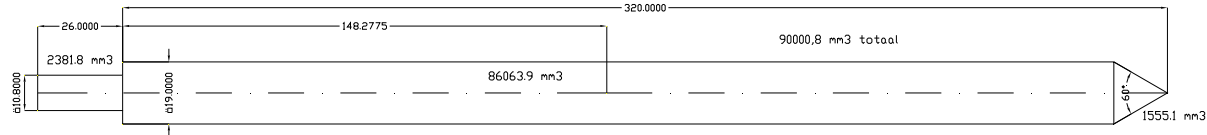


TOL. +/- 0,2 TENZIJ ANDERS AANGEGEVEN.

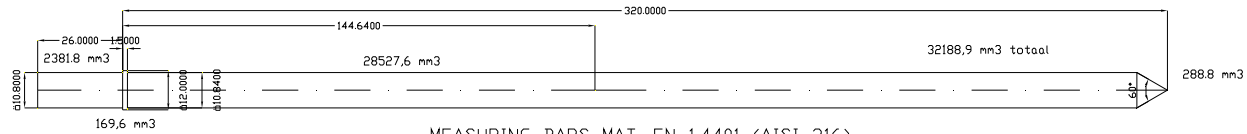
lowpart spring holder Type 2 ,
MAT.:ALUMINIUM

Bending test Bars

$$0,0900008 * 8000 = 720,0 \text{ gr.}$$



$$0,031367 * 8000 = 250,9 \text{ gram}$$

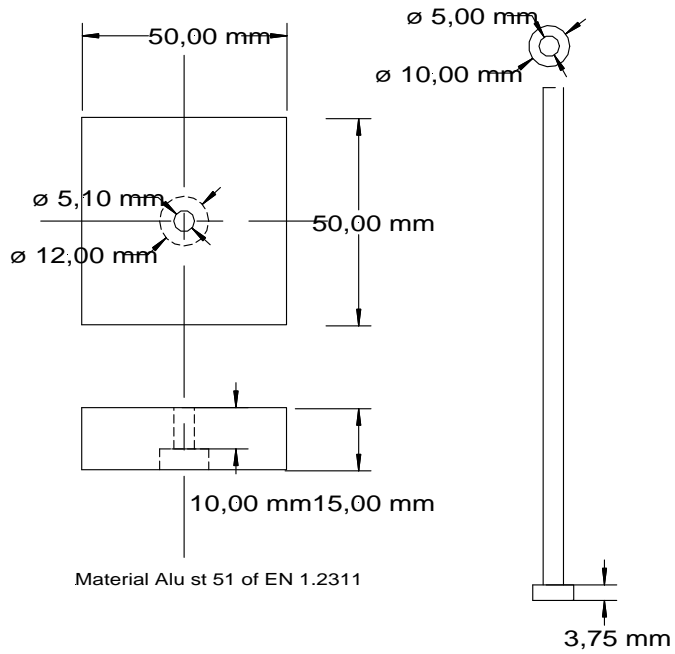


MEASURING BARS MAT. EN 1.4401 (AISI 316)

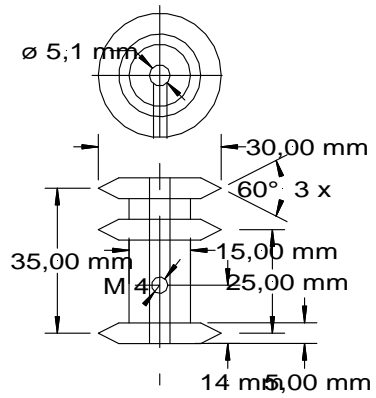
Weight 8,0 Kg/dm³

MARK WEIGHTPOINT AND
WEIGHT ON BAR

Spring bending measuring

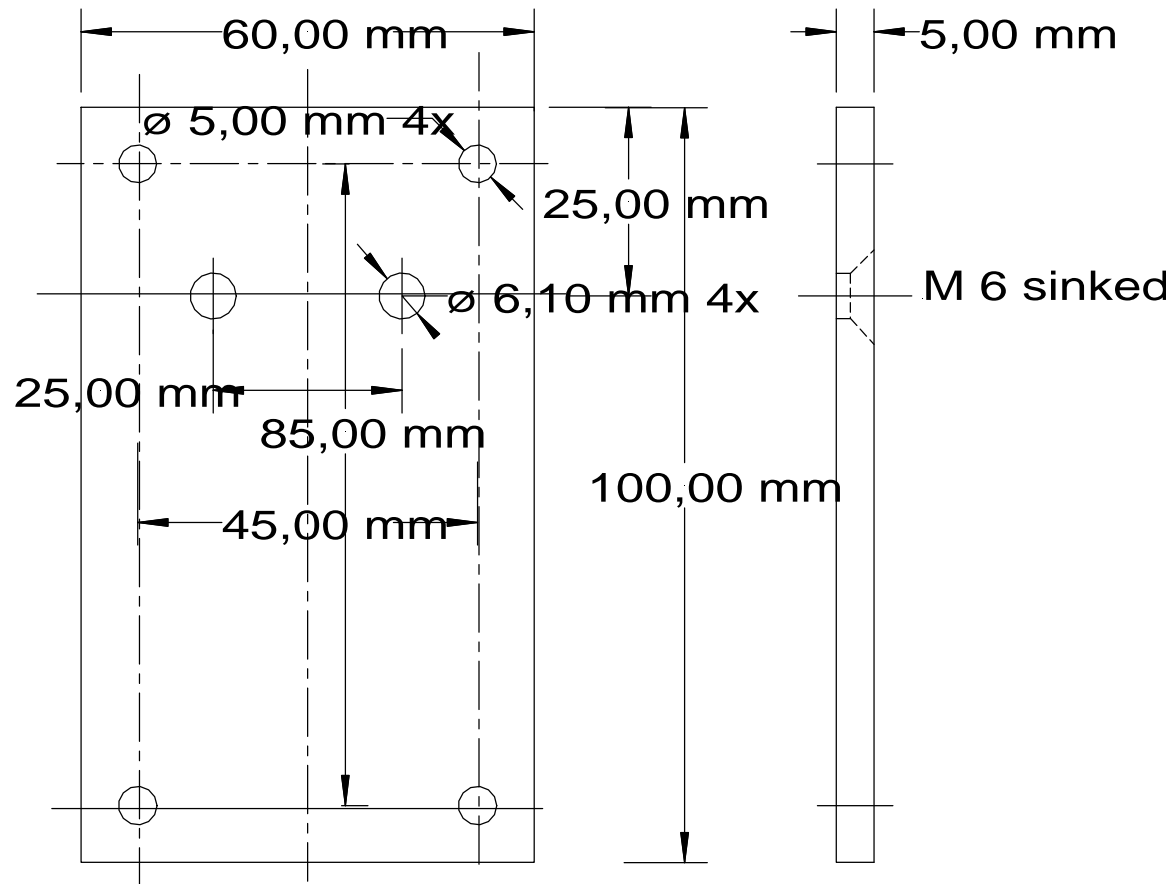


Strong steel $\varnothing 5 \text{ mm}$ and 120mm l



Test support holder

Plate : Alu , or plastic or metal IXOS



Material : Alu , or plastic or inox metal

